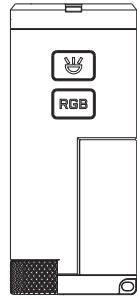


铜版纸157克, 双面印刷, 尺寸349x85mm, 六折七页, 风琴折

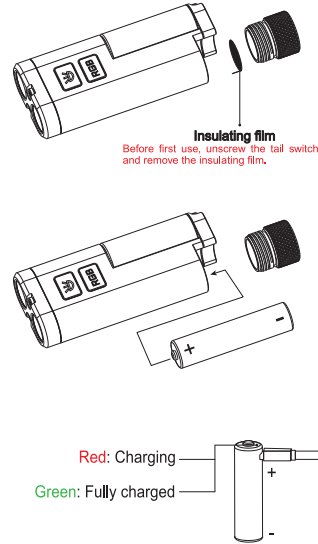


User Manual

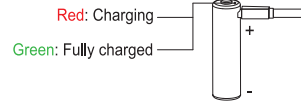


UC3A Compact Multi-Color EDC Flashlight

PRODUCT OVERVIEW



Insulating film
Before first use, unscrew the tail switch and remove the insulating film.



FEATURES

MULTI-LIGHT SOURCE

- Powered by dual SST-36F white main LEDs, delivering up to 900 lumens and a beam distance of 85 meters
- The RGB auxiliary side light features a 270° illumination angle for a larger coverage area and can be used as a camping light or signal light

DUAL SWITCHES

- Logical function separation makes operation more intuitive and easier

COMPACT AND LIGHTWEIGHT

- The flat shape is easy to carry, saves space

Convenient Charging

- Powered by a USB-C rechargeable 10440 battery, simple to recharge
- The replaceable battery design removes runtime worries

EASY TO CARRY

- Clip it securely to almost anywhere, or attach it to a keychain for convenient carrying

MAGNETIC TAIL CAP

- Hands-free operation allows you to work with both hands, improving efficiency

BUILT TO ENDURE

- Crafted from aerospace-grade AL6061-T6 aluminum and a hard-anodized finish to survive 1.5-meter drops
- Its IP68 rated protection ensures reliable performance in severe weather

SIZE AND WEIGHT

- 71.5mm(2.82" Length)x31.05mm(1.22" Width)x15.5mm(0.61" Height), 63g/2.22oz

ACCESSORIES

- 1 x UC3A Flashlight; 1x USB-C Charging Cable; 1 x 10440 USB-C Rechargeable Battery; 1 x Keychain; 2 x Waterproof O-rings; 1 x User Manual; 1 x Warranty Card; 1 x Qualification Certificate

TECHNICAL PARAMETER

SST-36F LED (10440 Battery)						
RL STANDARD	High	Med	Low	Ultra Low	Strobe	
☀️	900~400~90 lumens	210~30 lumens	80 lumens	4 lumens	900~400~90 lumens	
🕒	15s+14min+25min	30min+1h	1h 50min	23h	15s+25min+1h	
📏	85m	—	—	—	—	
🌟	1806cd	—	—	—	—	
Auxiliary White light			RED			
RL STANDARD	High	Low	High	Low	Red flash High	Red flash Low
☀️	35 lumens	2 lumens	1 lumen	0.5 lumens	1 lumen	0.5 lumens
🕒	3h	23h	6h	18h	17h	53h
📏	—	—	—	—	—	—
🌟	—	—	—	—	—	—
Green light						
RL STANDARD	High	Low	Green flash High	Green flash Low		
☀️	2 lumens	1 lumen	2 lumens	1 lumen		
🕒	6h	18h	17h	53h		
📏	—	—	—	—		
🌟	—	—	—	—		
Blue light			Red Blue flash		Rainbow flow	
RL STANDARD	High	Low	Blue flash High	Blue flash Low	Red Blue flash	Rainbow flow
☀️	1 lumen	0.5 lumens	1 lumen	0.5 lumens	—	—
🕒	6h	18h	17h	53h	23h	4h
📏	—	—	—	—	—	—
🌟	—	—	—	—	—	—

📏	2 meters	📏	1.5 meters
---	----------	---	------------

Note: The above-mentioned parameters have been measured in accordance with the international flashlight testing standard ANSI PLATO FL1, and are approximate and may vary from flashlights, batteries, and environments. If you have any questions, please contact customer service.

OPERATIONS

Main Light Switch

Lock: While off, press and hold for 3s to lock. When locked, pressing the switch has no effect. In this state, pressing any switch makes the auxiliary light flash red and green alternately as a lock reminder.

Unlock: While locked, press and hold for 3s to unlock. The light flashes 3 times and then enters Ultra Low. **Single Press:** Turn on/off. Each time you turn on, it enters Med.

Long press while off: Press and hold for 0.5s to enter Ultra Low.

Long press while on: Cycle through Low, Med, High, Low.

Double Press: Enter High.

Triple or more Press: Enter Strobe.

Auxiliary Light Switch

Single Press: Turn on/off. Single press to turn on white light High. When off, long press to turn on white light Low.

Double Press while on: Cycle through white, red, red flash, green, green flash, blue, blue flash, red-blue alternate flash, rainbow flow, white.

Long press while on: Change brightness level of white, red, red flash, green, green flash, blue, blue flash.

WARNING

1. By using this device, you certify you have read the included User Manual and Warning Card and release the manufacturer and retailers from all liabilities.

2. Please use in accordance with applicable laws and regulations.

3. Keep out of reach of children.

4. DO NOT shine the light directly into human eyes. This may cause temporary blindness, or permanent damage to the eyes.

5. DO NOT cover the light head when the flashlight is on, or place the flashlight head on the ground. The radiation energy of the flashlight may cause damage to the flashlight itself, or even result in burning to other materials.

6. DO NOT modify/disassemble the light, otherwise the user will be in charge of the all responsibilities.

7. Please use turbo mode with caution. Turbo greatly reduces the runtime and leads to high temperature on the flashlight surface.

8. When the product is used in a low-temperature environment, please try and keep it warm. If the temperature is too cold, it may not reach the highest output.

9. If the product is left unused or carrier and transported, please lock the button to avoid accidentally activating the flashlight.

10. Please keep the front lens clean. Due to radiation energy, it may heat up foreign matter on the lens which can potentially cause damage.

11. The battery can only be stored inside the product and charged with the included standard charging cable.

12. Quality batteries with circuit protection will reduce the potential risk.

13. Store the battery with care. Please store the battery in a dedicated box after being taken out of the product if the battery needs to be changed.

14. Please keep the front lens clean. Due to radiation energy, it may heat up foreign matter on the lens which can potentially cause damage.

15. The battery can only be stored inside the product and charged with the included standard charging cable.

16. Please store the battery with care. Please store the battery in a dedicated box after being taken out of the product if the battery needs to be changed.

17. Please store the battery with care. Please store the battery in a dedicated box after being taken out of the product if the battery needs to be changed.

18. Please store the battery with care. Please store the battery in a dedicated box after being taken out of the product if the battery needs to be changed.

19. Please store the battery with care. Please store the battery in a dedicated box after being taken out of the product if the battery needs to be changed.

dealer will replace that product.

2. If an Acebeam flashlight fails during normal use within a period of 10 year of purchase, the dealer will repair or replace the flashlight with the same or similar model.

3. The battery comes with a one-year(12 months) warranty from date of purchase. And the warranty does not cover additional accessories.

4. The warranty does not cover damage or failure caused by:

A. Rough usage or operation which does not comply with the user manual or product specifications.

B. Unauthorized disassembly, repair or modification. Defects or damaged caused by factors out of Acebeam's control.

C. Battery leakage damaged products.

5. If there are any questions about ACEBEAM products, please consider the warranty and contact Acebeam or your original Acebeam dealer for warranty return instructions. Email: cs@acebeam.com

6. If there are any questions about ACEBEAM products, please consider the warranty and contact Acebeam or your original Acebeam dealer for warranty return instructions. Email: cs@acebeam.com

7. If there are any questions about ACEBEAM products, please consider the warranty and contact Acebeam or your original Acebeam dealer for warranty return instructions. Email: cs@acebeam.com

8. If there are any questions about ACEBEAM products, please consider the warranty and contact Acebeam or your original Acebeam dealer for warranty return instructions. Email: cs@acebeam.com

9. If there are any questions about ACEBEAM products, please consider the warranty and contact Acebeam or your original Acebeam dealer for warranty return instructions. Email: cs@acebeam.com

10. If there are any questions about ACEBEAM products, please consider the warranty and contact Acebeam or your original Acebeam dealer for warranty return instructions. Email: cs@acebeam.com

11. If there are any questions about ACEBEAM products, please consider the warranty and contact Acebeam or your original Acebeam dealer for warranty return instructions. Email: cs@acebeam.com

12. If there are any questions about ACEBEAM products, please consider the warranty and contact Acebeam or your original Acebeam dealer for warranty return instructions. Email: cs@acebeam.com

13. If there are any questions about ACEBEAM products, please consider the warranty and contact Acebeam or your original Acebeam dealer for warranty return instructions. Email: cs@acebeam.com

14. If there are any questions about ACEBEAM products, please consider the warranty and contact Acebeam or your original Acebeam dealer for warranty return instructions. Email: cs@acebeam.com

15. If there are any questions about ACEBEAM products, please consider the warranty and contact Acebeam or your original Acebeam dealer for warranty return instructions. Email: cs@acebeam.com

16. If there are any questions about ACEBEAM products, please consider the warranty and contact Acebeam or your original Acebeam dealer for warranty return instructions. Email: cs@acebeam.com

17. If there are any questions about ACEBEAM products, please consider the warranty and contact Acebeam or your original Acebeam dealer for warranty return instructions. Email: cs@acebeam.com

18. If there are any questions about ACEBEAM products, please consider the warranty and contact Acebeam or your original Acebeam dealer for warranty return instructions. Email: cs@acebeam.com

19. If there are any questions about ACEBEAM products, please consider the warranty and contact Acebeam or your original Acebeam dealer for warranty return instructions. Email: cs@acebeam.com

20. If there are any questions about ACEBEAM products, please consider the warranty and contact Acebeam or your original Acebeam dealer for warranty return instructions. Email: cs@acebeam.com

21. If there are any questions about ACEBEAM products, please consider the warranty and contact Acebeam or your original Acebeam dealer for warranty return instructions. Email: cs@acebeam.com

22. If there are any questions about ACEBEAM products, please consider the warranty and contact Acebeam or your original Acebeam dealer for warranty return instructions. Email: cs@acebeam.com

23. If there are any questions about ACEBEAM products, please consider the warranty and contact Acebeam or your original Acebeam dealer for warranty return instructions. Email: cs@acebeam.com

24. If there are any questions about ACEBEAM products, please consider the warranty and contact Acebeam or your original Acebeam dealer for warranty return instructions. Email: cs@acebeam.com

25. If there are any questions about ACEBEAM products, please consider the warranty and contact Acebeam or your original Acebeam dealer for warranty return instructions. Email: cs@acebeam.com

26. If there are any questions about ACEBEAM products, please consider the warranty and contact Acebeam or your original Acebeam dealer for warranty return instructions. Email: cs@acebeam.com

27. If there are any questions about ACEBEAM products, please consider the warranty and contact Acebeam or your original Acebeam dealer for warranty return instructions. Email: cs@acebeam.com

28. If there are any questions about ACEBEAM products, please consider the warranty and contact Acebeam or your original Acebeam dealer for warranty return instructions. Email: cs@acebeam.com

29. If there are any questions about ACEBEAM products, please consider the warranty and contact Acebeam or your original Acebeam dealer for warranty return instructions. Email: cs@acebeam.com

30. If there are any questions about ACEBEAM products, please consider the warranty and contact Acebeam or your original Acebeam dealer for warranty return instructions. Email: cs@acebeam.com

31. If there are any questions about ACEBEAM products, please consider the warranty and contact Acebeam or your original Acebeam dealer for warranty return instructions. Email: cs@acebeam.com

32. If there are any questions about ACEBEAM products, please consider the warranty and contact Acebeam or your original Acebeam dealer for warranty return instructions. Email: cs@acebeam.com

33. If there are any questions about ACEBEAM products, please consider the warranty and contact Acebeam or your original Acebeam dealer for warranty return instructions. Email: cs@acebeam.com

34. If there are any questions about ACEBEAM products, please consider the warranty and contact Acebeam or your original Acebeam dealer for warranty return instructions. Email: cs@acebeam.com

35. If there are any questions about ACEBEAM products, please consider the warranty and contact Acebeam or your original Acebeam dealer for warranty return instructions. Email: cs@acebeam.com

36. If there are any questions about ACEBEAM products, please consider the warranty and contact Acebeam or your original Acebeam dealer for warranty return instructions. Email: cs@acebeam.com

37. If there are any questions about ACEBEAM products, please consider the warranty and contact Acebeam or your original Acebeam dealer for warranty return instructions. Email: cs@acebeam.com

38. If there are any questions about ACEBEAM products, please consider the warranty and contact Acebeam or your original Acebeam dealer for warranty return instructions. Email: cs@acebeam.com

39. If there are any questions about ACEBEAM products, please consider the warranty and contact Acebeam or your original Acebeam dealer for warranty return instructions. Email: cs@acebeam.com

40. If there are any questions about ACEBEAM products, please consider the warranty and contact Acebeam or your original Acebeam dealer for warranty return instructions. Email: cs@acebeam.com

41. If there are any questions about ACEBEAM products, please consider the warranty and contact Acebeam or your original Acebeam dealer for warranty return instructions. Email: cs@acebeam.com

42. If there are any questions about ACEBEAM products, please consider the warranty and contact Acebeam or your original Acebeam dealer for warranty return instructions. Email: cs@acebeam.com

43. If there are any questions about ACEBEAM products, please consider the warranty and contact Acebeam or your original Acebeam dealer for warranty return instructions. Email: cs@acebeam.com

44. If there are any questions about ACEBEAM products, please consider the warranty and contact Acebeam or your original Acebeam dealer for warranty return instructions. Email: cs@acebeam.com

45. If there are any questions about ACEBEAM products, please consider the warranty and contact Acebeam or your original Acebeam dealer for warranty return instructions. Email: cs@acebeam.com

46. If there are any questions about ACEBEAM products, please consider the warranty and contact Acebeam or your original Acebeam dealer for warranty return instructions. Email: cs@acebeam.com

47. If there are any questions about ACEBEAM products, please consider the warranty and contact Acebeam or your original Acebeam dealer for warranty return instructions. Email: cs@acebeam.com

48. If there are any questions about ACEBEAM products, please consider the warranty and contact Acebeam or your original Acebeam dealer for warranty return instructions. Email: cs@acebeam.com

49. If there are any questions about ACEBEAM products, please consider the warranty and contact Acebeam or your original Acebeam dealer for warranty return instructions. Email: cs@acebeam.com

50. If there are any questions about ACEBEAM products, please consider the warranty and contact Acebeam or your original Acebeam dealer for warranty return instructions. Email: cs@acebeam.com

51. If there are any questions about ACEBEAM products, please consider the warranty and contact Acebeam or your original Acebeam dealer for warranty return instructions. Email: cs@acebeam.com

52. If there are any questions about ACEBEAM products, please consider the warranty and contact Acebeam or your original Acebeam dealer for warranty return instructions. Email: cs@acebeam.com

53. If there are any questions about ACEBEAM products, please consider the warranty and contact Acebeam or your original Acebeam dealer for warranty return instructions. Email: cs@acebeam.com

54. If there are any questions about ACEBEAM products, please consider the warranty and contact Acebeam or your original Acebeam dealer for warranty return instructions. Email: cs@acebeam.com

55. If there are any questions about ACEBEAM products, please consider the warranty and contact Acebeam or your original Acebeam dealer for warranty return instructions. Email: cs@acebeam.com

56. If there are any questions about ACEBEAM products, please consider the warranty and contact Acebeam or your original Acebeam dealer for warranty return instructions. Email: cs@acebeam.com

57. If there are any questions about ACEBEAM products, please consider the warranty and contact Acebeam or your original Acebeam dealer for warranty return instructions. Email: cs@acebeam.com

58. If there are any questions about ACEBEAM products, please consider the warranty and contact Acebeam or your original Acebeam dealer for warranty return instructions. Email: cs@acebeam.com

59. If there are any questions about ACEBEAM products, please consider the warranty and contact Acebeam or your original Acebeam dealer for warranty return instructions. Email: cs@acebeam.com

60. If there are any questions about ACEBEAM products, please consider the warranty and contact Acebeam or your original Acebeam dealer for warranty return instructions. Email: cs@acebeam.com

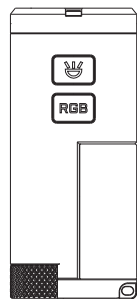
61. If there are any questions about ACEBEAM products, please consider the warranty and contact Acebeam or your original Acebeam dealer for warranty return instructions. Email: cs@acebeam.com

62. If there are any questions about ACEBEAM products, please consider the warranty and contact Acebeam or your original Acebeam dealer for warranty return instructions. Email: cs@acebeam.com

63. If there are any questions about ACEBEAM products, please consider the warranty and contact Acebeam or your original Acebeam dealer for warranty return instructions. Email: cs@acebeam.com

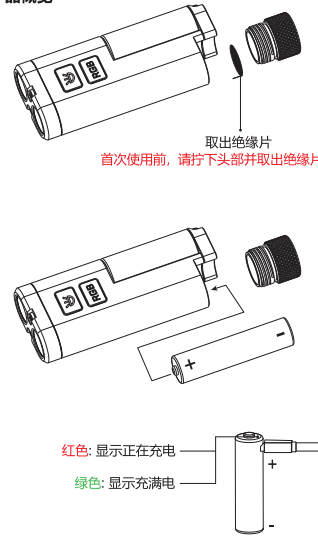


说明书

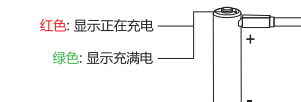


UC3A 多光源小巧EDC手电

产品概览



取出绝缘片
首次使用前, 请拧下头部并取出绝缘片。



产品特性

多光源

- 搭载双颗SST-36F白光主灯, 亮度达900流明, 照射距离85米
- RGB辅助侧灯支持270°大范围照明, 可作为露营灯信号灯使用

双开关键设计

- 功能逻辑清晰分区, 操作更直观、更便捷

小巧轻便

- 扁平造型易于携带、节省空间

便捷充电

- 使用USB-C可充电10440电池, 充电方便
- 电池可更换设计, 缓解续航焦虑

便于携带

- 通过夹夹可稳固夹持, 也可挂在钥匙圈上随身携带

磁吸尾盖

- 解放双手, 让你能双手同时操作, 提升工作效率

坚固耐用结构

- 采用航空级AL6061-T6铝合金机身配合硬质氧化工艺, 1.5米防跌高度
- IP68级防护确保在恶劣天气条件下仍能可靠运作

尺寸与重量

- 重量: 63克(含电池)
- 尺寸: 71.5mm(长)x31mm(宽)x15.5mm(高)

包装清单

- 1x UC3A手电; 1x 10440 USB-C电池; 1x USB-C充电线;

- 2x O形圈; 1x 钥匙扣; 1x 用户手册; 1x 保修卡;

- 1x 合格证

性能参数

SST-36F LED (10440电池)						
RL STANDARD	高亮	中亮	低亮	极低亮	爆闪	
☀️	900~400~90流明	210~30流明	80流明	4流明	900~400~90流明	
🕒	15s+14分钟+25分钟	30分钟+1小时	1小时50分钟	23小时	15s+25分钟+1小时	
📏	85米	—	—	—	—	
🌟	1806坎德拉	—	—	—	—	
侧灯白光			红光			
RL STANDARD	高亮	低亮	高亮	低亮	红闪高亮	红闪低亮
☀️	35流明	2流明	1流明	0.5流明	1流明	0.5流明
🕒	3小时	23小时	6小时	18小时	17小时	53小时</