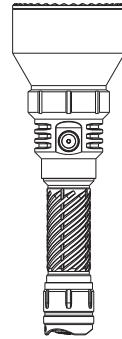


铜版纸157克, 双面印刷, 尺寸390x85mm, 五折六页, 风琴折



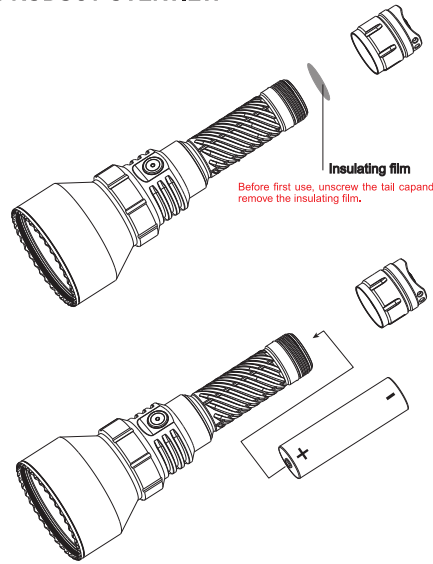
User Manual



T29

Ultra Long Range Flashlight

PRODUCT OVERVIEW



Insulating film
Before first use, unscrew the tail cap and remove the insulating film.

FEATURES

POWERFUL PERFORMANCE

- Featuring an SFT-42R LED, this flashlight delivers an impressive 2900 Lumens of brightness
- With a beam distance of up to 1400 meters, it allows for early target detection and identification, giving you more time for observation, assessment, and ensuring your safety

DUAL SWITCH DESIGN

- Use the tactical tail switch for momentary, or constant Turbo activation
- When observing, use the side switch to discreetly cycle through modes without startling your target.

RELIABLE POWER SYSTEM

- A hidden USB-C port defends against dust, moisture, mud, sand
- Come with a rechargeable 21700 Li-ion battery (replaceable)
- The battery indicator clearly displays remaining level, reminding you when it's time to recharge

SOLID AND RELIABLE

- AL6061-T6 aerospace-grade aluminum alloy with hard anodization
- IP68 waterproof and dustproof, and 1.5m impact resistance

SIZE AND WEIGHT

- 194.79mm/7.67"(Length) x 66mm/2.60"(Head Dia.) x 25.38mm/1"(Tube Dia.), 308.5g/10.88oz

TECHNICAL PARAMETER

LED	STANDARD	Turbo	High	Med2	Med1	Low	Ultra-Low	Strobe
SFT-42R	2900~1150 Lumens	1150 Lumens	550 Lumens	200 Lumens	80 Lumens	12 Lumens	2900~1150 Lumens	
	4min+ 1h50min	2h 5min	5.5h	15h	37h	6.8days	5min+ 4.5h	
	1400m	856m	569m	360m	232m	103m	1400m	
	490000cd	183184cd	80940cd	32400cd	13456cd	2652cd	490000cd	
		2 meters				1.5 meters		

Notice: The above-mentioned parameters (tested with 1 x ACEBEAM 21700 battery) have been measured in accordance with the international flashlight testing standard ANSI/PLATO FL1, and are approximate and may vary from flashlights, batteries, and environments. If you have any questions, please contact customer service.

ACCESSORIES

1 x T29 Flashlight; 1 x 21700 Battery; 1 x Holster; 1 x USB-C Charging Cable; 2 x Waterproof O-rings; 1 x lanyard; 1 x User Manual; 1 x Warranty Card; 1 x Qualification Certificate

OPERATIONS

LOCK/UNLOCK

Lock
While off, press and hold the side switch for 5s. The flashlight will lock after 3s of Ultra Low output. Once locked, the flashlight is non-functional for any operation.

Unlock
While locked, press and hold the side switch for 3s. The flashlight will unlock and enter Ultra Low.
(Note: To unlock, ensure the tail switch is turned off first. The power indicator will show whether the tail switch is on or off.)

Tactical Tail Switch
While unlocked, half press for momentary Turbo, and full press for constant Turbo.
(Note: If the tactical tail switch is used first, any operation of the side switch will be ineffective.)

Side Switch
ON/OFF: Single press the side switch.
Change Brightness: While on, press and hold the side switch to cycle through Low, Med1, Med2, and High. The last setting will be memorized (Ultra Low and Turbo cannot be memorized).

Turbo: Double press the side switch to enter Turbo mode. Double press again to switch between Turbo and the memorized setting.

Strobe: Triple press the side switch.

Ultra Low: While off, press and hold the side switch for 0.5s.

POWER INDICATOR

Green light: 100%~30%, Red light: among 30%~ 10%, low battery warning
Red flash light: below < 10%

WARNING

- Before use, carefully read the user manual and warning manual included in the packaging, and ensure full understanding and compliance.
- It is recommended to use qualified batteries equipped with circuit protection.
- Avoid shine the flashlight directly into eyes or onto skin when illuminated, to never vision damage or skin burns. Keep out of reach of children.
- Users must operate in accordance with local laws, regulations, and relevant precautions. The manufacturer and seller shall not be held liable for any legal issues arising therefrom.

MAINTENANCE & NOTES

- Do not disassemble any components by yourself, as this will void the warranty and may damage the flashlight.
- Prolonged operation at maximum brightness will generate and rapidly conduct significant heat. Therefore, heating during use is normal.
- With extended use, the lubricant on the tail threads may diminish. To maintain smooth threading, apply specialized lubricant promptly.
- Over time, the flashlight's O-rings may deteriorate. Replace them periodically to preserve the waterproof integrity.
- Regularly clean the flashlight's electrical contact surfaces to ensure proper operation. If abnormal flickering or failure to turn on occurs, it may be due to dirty contacts. Try cleaning them with an alcohol swab.
- Lithium batteries may undergo self-discharge. For long-term storage, remove the battery and recharge it at least once every four months.
- This flashlight offers excellent waterproof performance but is not intended for professional diving use.

PRODUCT WARRANTY

- If the customer experiences any problems with an Acebeam product within 15 days of purchase, the dealer will replace that product.
- If an Acebeam flashlight fails during normal use within a period of 10 year of purchase, the dealer will repair or replace the flashlight with the same or similar model.
- The battery comes with a one-year (12 months) warranty from date of purchase. And the warranty does not cover additional accessories.
- The warranty does not cover damage or failure caused by:
 - Rough usage or operation which does not comply with the user manual or product specifications.
 - Unauthorized disassembly, repair or modification. Defects or damaged caused by factors out of Acebeam's control.
 - Battery leakage damaged products.
- If there are any questions about ACEBEAM products, please consider the warranty and contact Acebeam or your original Acebeam dealer for warranty return instructions. Email: cs@acebeam.com

DISCLAIMER CLAUSE

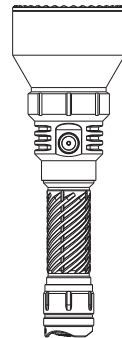
Acebeam is not liable for damages or injuries sustained resulting from the usage of the product inconsistent with the warnings in the manual.



ACEBEAM TECHNOLOGY CO., LIMITED
SHENZHEN ZENBON TECHNOLOGY CO., LTD
+86 0755 23036551
www.acebeam.com
cs@acebeam.com
3/F, No.2 Building, Yijiyang Industrial Park, Dalang, Longhua, Shenzhen 518100, Guangdong, China
Copyright © ACEBEAM, All rights reserved.
Powered by Acebeam Technology Co., Ltd



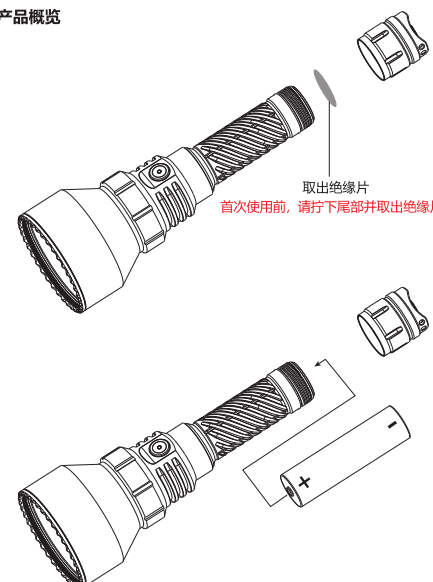
User Manual



T29

远射战术&搜索手电

产品概览



取出绝缘片
首次使用前, 请拧下尾部并取出绝缘片。

产品特性

强劲性能

- 搭载单颗SFT-42R LED, 亮度高达2900流明
- 射程可达1400米, 可提前发现并识别目标, 为您争取更充足的观察、判断时间, 保障安全

双开关设计

- 尾部战术开关一键极亮
- 侧按开关便于切换模式

便捷充电

- 隐藏式USB-C接口, 防尘、防潮、防泥沙侵入
- 标配单节可充电21700锂离子电池 (可更换)
- 电量指示灯清晰显示剩余电量, 及时提醒充电

坚固可靠

- AL6061-T6航空级铝合金机身, 硬质阳极氧化
- IP68级防水防尘, 防跌高度1.5米

尺寸与重量

- 194.79毫米 (长) x 66毫米 (头部直径) x 25.38毫米 (筒身直径)
- 308.5克

包装清单

1 x T29 手电筒; 1 x 21700 电池; 1 x 布套; 1 x USB-C 充电线; 2 x O圈; 1 x 手绳; 1 x 用户手册; 1 x 保修卡; 1 x 合格证证书

性能参数

LED	STANDARD	极亮	高亮	中亮2	中亮1	低亮	极低亮	爆闪
SFT-42R	2900~1150 流明	1150 流明	550 流明	200 流明	80 流明	12 流明	2900~1150 流明	
	4分钟+ 1小时50分钟	2小时 5分钟	5.5小时	15小时	37小时	6.8天	5分钟+ 4.5小时	
	1400米	856米	569米	360米	232米	103米	1400米	
	490000坎德拉	183184坎德拉	80940坎德拉	32400坎德拉	13456坎德拉	2652坎德拉	490000坎德拉	
		2米				1.5米		

注: 以上数据按照国际手电筒测量标准ANSI/PLATO FL1所述之测量方法, 使用1节ACEBEAM 21700电池, 为ACEBEAM实验室实测, 具体使用需要根据实际环境而定, 如有疑问请联系客服。

操作步骤

锁定

在关机状态下, 长按侧按键5秒。手电筒将以极低亮输出3秒后进入锁定状态。锁定后, 手电筒将无法进行任何操作。

解锁

在锁定状态下, 长按侧按键3秒。手电筒将解锁并进入极低亮。
(注意: 解锁前, 请确保尾部战术开关已关闭。请通过电源指示灯确认尾部开关开启或关闭。)

尾部战术开关

解锁状态下, 轻按瞬时极亮, 重按锁定极亮。
(注意: 若先使用尾部战术开关操作, 则侧按键的任何操作将无效。)

侧按键

开/关: 单击侧按键。

调节亮度: 开机状态下, 长按侧按键以循环切换低亮, 中亮1, 中亮2, 高亮。当前亮度会被记忆 (极低亮和极亮不会被记忆)。

极亮: 双击侧按键进入极亮。再次双击可在极亮和记忆亮度之间切换。

爆闪: 三击侧按键。

极低亮: 在关机状态下, 长按侧按键0.5秒。

电量指示

绿光: 100%~30%; 红光: 30%~10%之间, 此时低电量提醒;

红灯内: < 10%

警告

- 使用前先仔细阅读包装内的说明书和警告标签, 并确保已经熟知并遵守。
- 推荐使用合格且带有电路保护的电池。
- 严禁在手电点亮时直接照射眼睛及皮肤, 以免造成视力损伤或皮肤灼伤, 并远离儿童。
- 使用者需按当地法律法规及相关注意事项操作, 出现任何法律问题与制造商及销售商无关。

保养及注意事项

- 请勿自行拆卸部件, 否则会导致保修失效并可能损坏手电。
- 灯具长时间以极亮档位工作会积累大量的热量并及时导出, 因此手电使用中发热是正常现象。
- 长期使用, 手电尾部螺纹的润滑脂会减少, 为了保持螺纹顺滑, 请及时使用专业润滑脂来润滑螺纹。
- 长期使用后, 手电的防水圈可能会老化。请您及时更换防水圈以维持手电的防水性能。
- 请及时清洁手电的导电接触面以保证手电的正常工作, 尤其是当手电出现异常的闪烁或者无法点亮的时候, 有可能是接触面有污渍导致, 尝试用酒精棉签清洁导电接触面。
- 由于锂电池会自放电, 所以建议在长期不使用手电时将电池取出, 并至少每4个月为电池充电一次。
- 此手电防水效果优良, 但不可作为专业潜水手电使用。

售后/保修条款

- 15天保换: ACEBEAM产品自售出日起15天内, 在正常使用的情况下, 如有任何质量问题, 均可向经销商要求免费更换。
- 保修10年: ACEBEAM产品自售出日起10年内, 在正常使用的情况下, 如有任何质量问题, 均可享受免费维修服务。
- 电池保修期为1年, 产品附加配件不在保修范围内。
- 本条款不适用于以下情况:
 - 人为破坏, 拆解, 改装本产品;
 - 错误操作导致产品损坏 (如电池装反等);
 - 电池漏液导致产品损坏。
- 如对ACEBEAM产品有任何疑问请参考保修条款并联系当地代理商或发邮件到cs@acebeam.com。

免责声明: Acebeam 对因不按手册中的警告使用产品而造成的损害或伤害不承担任何责任。



深圳市纵邦科技有限公司
+86-755-23036551
www.acebeam.com
cs@acebeam.com
深圳市龙华新区大浪街道华韵路300号义佳扬工业园2栋3楼
Copyright © ACEBEAM
深圳市纵邦科技有限公司有对本说明书内容的最终解释权 and 修改权